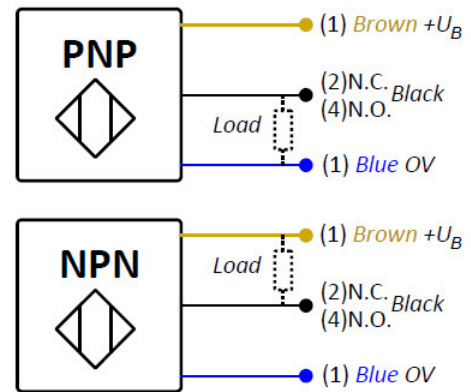


GENERAL SPECIFICATIONS	
Maximum Ambient Temp.	180°C, 200°C, 230°C
Sensor Size	M50
Sensing Distance (SN)	20mm
Installation	Flush
Connecting Cable	Teflon
ELECTRICAL SPECIFICATIONS	
Supply Voltage Range	10Vdc – 30 Vdc
Rated supply Voltage	24 Vdc
No Load Supply Current	≤ 3mA
Output Format	PNP or NPN N.O. or N.C.
Output Current	100mA @ 24Vdc
Max Switching Frequency	500Hz @ 150°C
Output Voltage Drop	≤ 1.8 Vdc
Repeatability	< 3% of SN
Cable Length 'L'	2 meters
Hysteresis	≤ 3-15% of Sr
Short Circuit Protection	Yes
Reverse Polarity Protection	Yes
MECHANICAL SPECIFICATIONS	
Protection Class	IP65
Housing Material	1.4305 St. Stl.

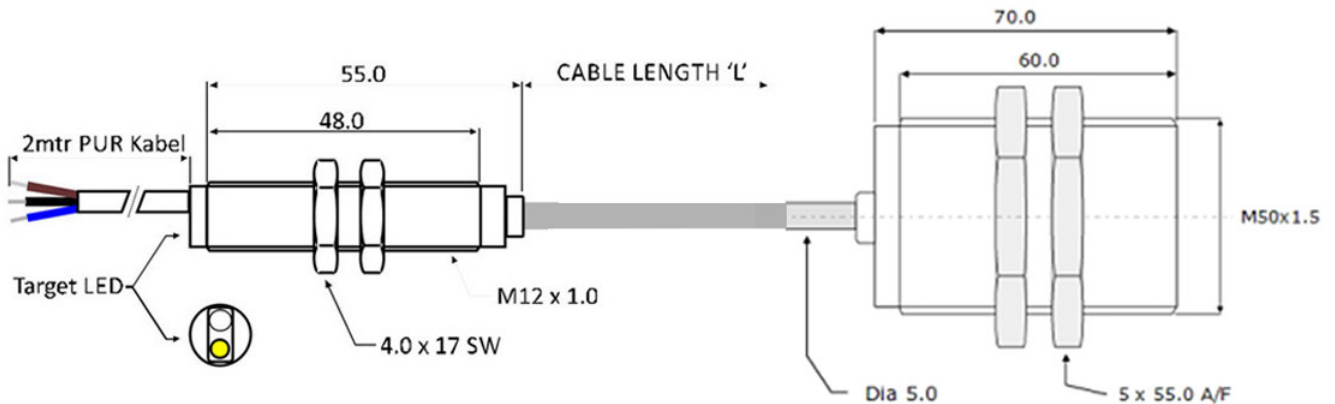
M50 HT Series Sensor



Connection Detail.



Dimensional and Mechanical Detail.



High Temperature Part Number Configurator

Part Number Configurator	IN	10	F	30	HT		150	EXT	S	2	PS	M
Inductive Sensor												
Sensing Distance in mm												
Housing Mount Style F: Shielded NF: Non Shielded												
Sensor Diameter in mm: 8,12, 18,30 & 50												
Product Series LT: Low Temperature HT: High Temperature												
Housing Style Blank: Standard Size S: Short Housing												
Operating Temperature in C°												
External Amplifier Blank: Built In EXT: External												
Cable Material S: Silicon T: Teflon												
Cable Length in Meters												
Output: PS: PNP N.O. POE: PNP N.C. NS: NPN N.O. NOE: NPN N.C.												
Additional Options: Note: <180° have built in amplifiers Blank: Built in amplifier M: In Line Amplifier SM: Din Rail - obsoleted LM: Connector - obsoleted												